



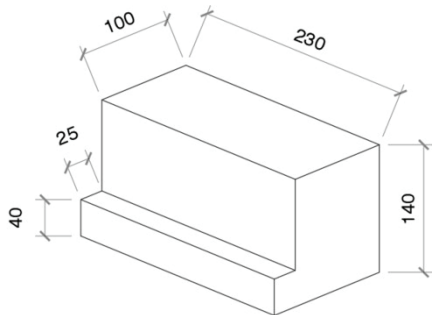
Plasmor Ltd  
Womersley Road, Knottingley  
West Yorkshire, WF11 0DL

BS EN 771-3 (2011 + A1:2015)

**Bison PM 100 L Block 3.6N/mm<sup>2</sup> BISONPM100L**

Loadbearing and non-loadbearing applications in all forms of walling including single leaf, cavity and partitions.

Dimensions (mm)	230 x 140 x 100
Dimensional Tolerances:	Category D1
Configuration:	Solid
Compressive Strength:	3.6N/mm <sup>2</sup>
Dimensional Stability:	=< 0.60mm/m
Shear Bond Strength:	0.15N/mm <sup>2</sup>
Flexural Bond Strength:	NPD
Reaction to Fire:	Euro Class A1
Water Absorption:	NPD
Water Vapour diffusion coefficient:	5/15
Gross Dry Density:	850 kg /m <sup>3</sup>
Configuration:	Group 1 Solid
Thermal Conductivity	0.24 W/m.K ( $\lambda_{10}$ , dry, mat P = 50%)
Durability against freeze-thaw:	Not to be left exposed



See also Declaration of Performance BISONPM100L

[technical@plasmor.co.uk](mailto:technical@plasmor.co.uk)