



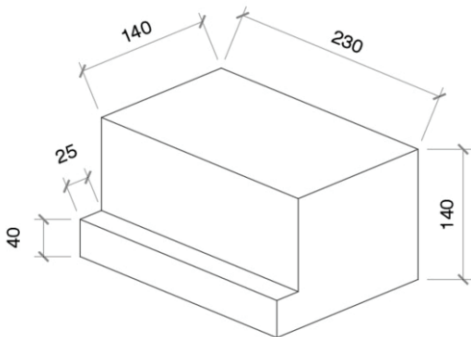
Plasmor Ltd  
Womersley Road, Knottingley  
West Yorkshire, WF11 0DL

BS EN 771-3 (2011 + A1:2015)

**Bison PM 140 L Block 3.6N/mm<sup>2</sup> BISONPM140L**

Loadbearing and non-loadbearing applications in all forms of walling including single leaf, cavity and partitions.

|                                     |   |
|-------------------------------------|---|
| Dimensions (mm)                     | 230 x 140 x 140                                 |
| Dimensional Tolerances:             | Category D1                                     |
| Configuration:                      | Solid   |
| Compressive Strength:               | 3.6N/mm <sup>2</sup>                            |
| Dimensional Stability:              | =< 0.60mm/m                                     |
| Shear Bond Strength:                | 0.15N/mm <sup>2</sup>                           |
| Flexural Bond Strength:             | NPD   |
| Reaction to Fire:                   | Euro Class A1                                   |
| Water Absorption:                   | NPD   |
| Water Vapour diffusion coefficient: | 5/15  |
| Gross Dry Density:                  | 850 kg /m <sup>3</sup>                          |
| Configuration:                      | Group 1 Solid                                   |
| Thermal Conductivity                | 0.24 W/m.K ( $\lambda_{10}$ , dry, mat P = 50%) |
| Durability against freeze-thaw:     | Not to be left exposed                          |



See also Declaration of Performance BISONPM140L

[technical@plasmor.co.uk](mailto:technical@plasmor.co.uk)